

DRAWING MADE IN THIRD ANGLE PROJECTION

3

2

1

LOC AA DIST 22

THIS DRAWING IS UNPUBLISHED. RELEASED FOR PUBLICATION . 19
 © COPYRIGHT 19 BY AMP INCORPORATED, HARRISBURG, PA. ALL INTERNATIONAL RIGHTS RESERVED. AMP PRODUCTS MAY BE COVERED BY U.S. AND FOREIGN PATENTS AND/OR PATENTS PENDING.

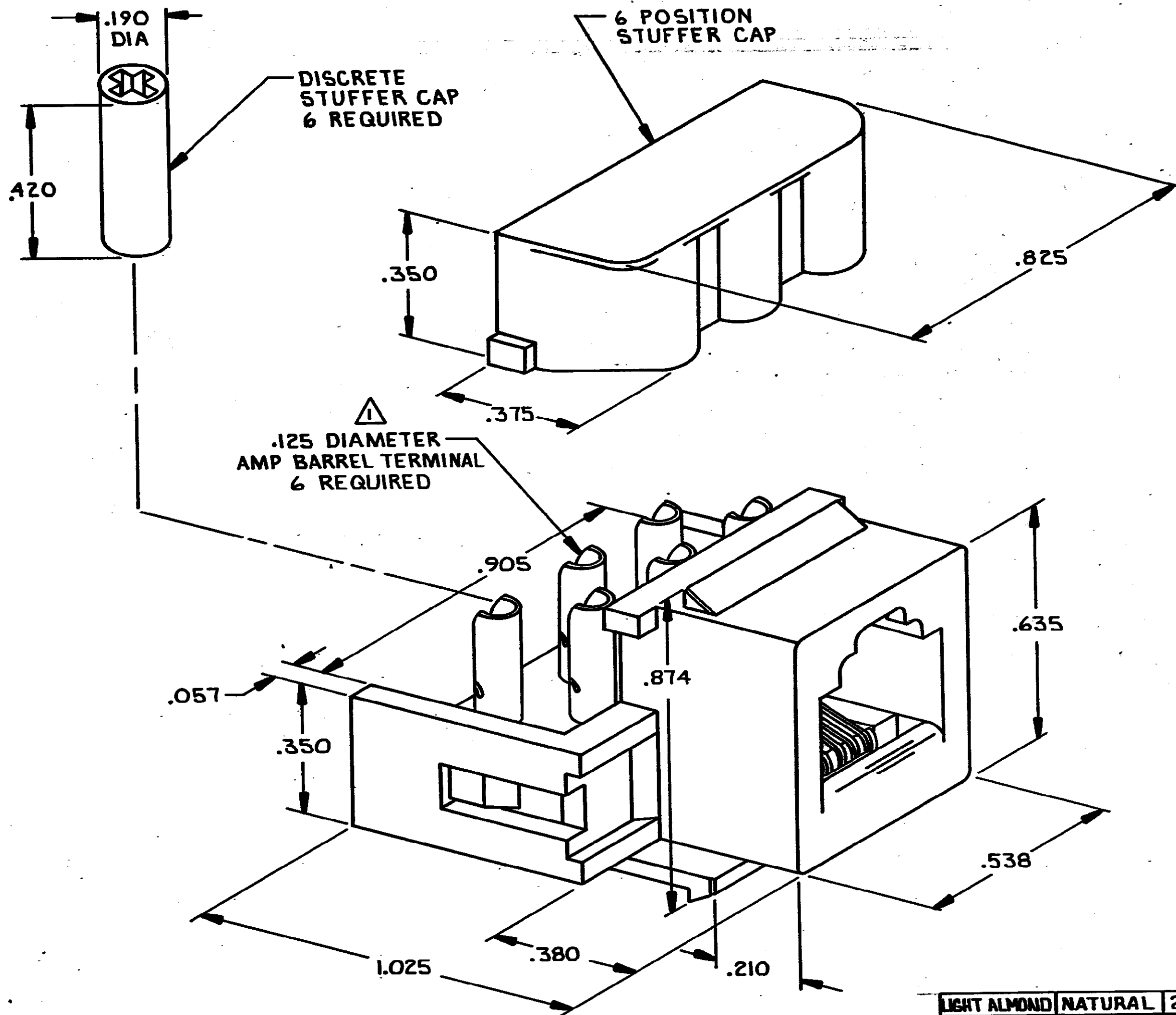
REVISIONS					
P	F	ZONE	DESCRIPTION	DATE	APPROVED
E		E	REVISED; ECN AA-7389	2-15-91	LHS AH

D

C

B

A



- 1. BARREL TERMINAL WIRE RANGE: 19-28 AWG SOLID OR STRANDED WIRE MAX INSULATION DIA IS .065.
- 2. MOUNTING PANEL THICKNESS: .062 NOMINAL.
- 3. MATERIAL: 6 POSITION STUFFER CAP - POLYCARBONATE, NATURAL. DISCRETE STUFFER CAP - NYLON 6/6. BARREL TERMINAL - TIN COATED PHOSPHOR BRONZE. CONTACTS - NICKEL PLATED HIGH STRENGTH COPPER ALLOY HAVING SELECTIVE GOLD PLATING ON CONTACT AREA AND SELECTIVE TIN PLATING ON BARREL TERMINAL AREA. HOUSING AND KEYSTONE - THERMOPLASTIC, 94 V-0 RATED, SEE TABLE.
- 4. STUFFER CAPS SHIPPED NOT ASSEMBLED.
- 5. BARREL TERMINALS WILL ACCOMODATE ONE OR TWO WIRES OF THE SAME TYPE AND WITHIN PLUS OR MINUS ONE WIRE GAUGE SIZE.

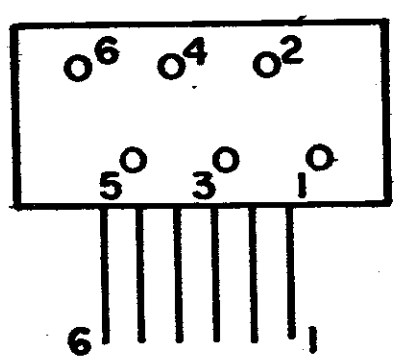
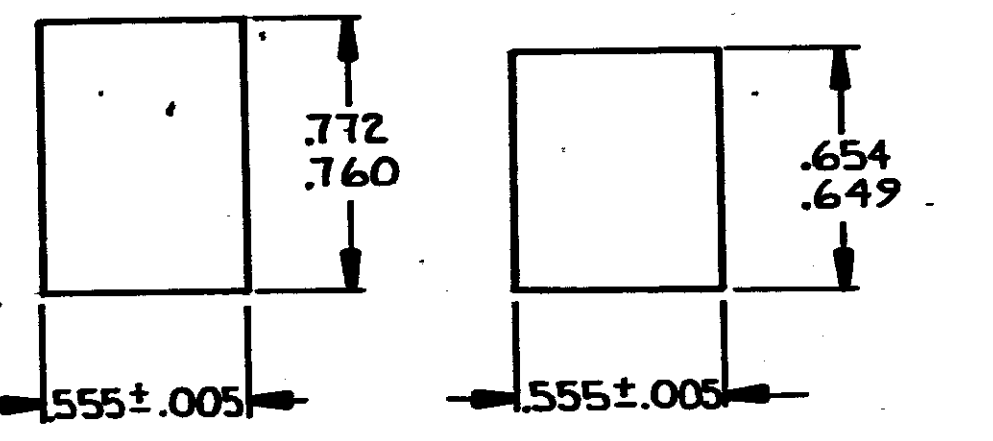
D

C

B

A

554171



WIRING DIAGRAM

HOUSING COLOR	STUFFER CAP COLOR	WIRE RANGE	DESCRIPTION	PART NO
LIGHT ALMOND	NATURAL	22-26 AWG	KIT WITH 1 SIX POSITION STUFFER CAP	-4
BLACK	YELLOW	19-22 AWG	KIT WITH 6 DISCRETE STUFFER CAPS	-3
	NATURAL	24-28 AWG		-2
		22-26 AWG	KIT WITH 1 SIX POSITION STUFFER CAP	554171-1

UNLESS OTHERWISE SPECIFIED DIMENSIONS ARE IN INCHES. TOLERANCES ON: DECIMALS ± .010 ANGLES ±	CONTRACT NO		AMP AMP INCORPORATED Harrisburg, Pa. 17105	
	DR C. Yates 6-20-85			
MATERIAL	CHK Stephen Dore 7-1-85		NAME	
	Gene Reed 7-01-85		KEYSTONE JACK KIT, 6 POSITION, COMMERCIAL	
FINISH	APPD B. Williamson 7-1-85		DRAWING NO	
	APPD		554171	
DSGN APPD		SIZE	FSCM NO	SHEET 1 OF 1
OTHER APPD		C	00779	
		SCALE 4:1		